

11-MD124

Version : A.07
Issue Date : 2002/9/18
File Name : 11-MD124_A07.DOC
Total Pages : 6

*Low-saturation, Low-voltage
Bi-directional Motor Driver*



新竹市建新路8號2樓

SILICON TOUCH TECHNOLOGY INC.
8-2F, Chien-Hsin Rd., Hsin-Chu, Taiwan, R.O.C.
Tel : 886-3-5727171 Fax : 886-3-5727390

11-MD124

Low-saturation, Low-voltage Bi-directional Motor Driver

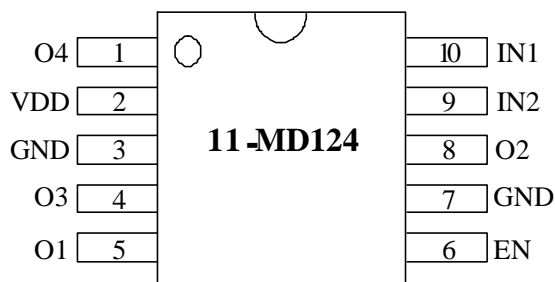
General Specifications

The device is a two-channel low-saturation bi-directional motor driver IC. The design is optimal for stepper-motor applications, such as cameras, printers, FDDs, or other portable devices.

Features and Benefits

- Low voltage operation ($V_{DD\ min} = 1.5V$)
- Low saturation voltage
- Optimal for 2 phase excitation drive for 2-phase stepping motors
- High output sinking and driving capability
- Thin, highly reliable package (MSOP-10)

Pin Assignment



PIN NO.	PIN NAME	DESCRIPTION
1	O4	Output sinking / driving pin.
2	VDD	Power supply pin.
3	GND	Ground pin
4	O3	Output sinking / driving pin.
5	O1	Output sinking / driving pin.
6	EN	Ground pin
7	GND	Ground pin
8	O2	Output sinking / driving pin.
9	IN2	Input pin that determines driving mode.
10	IN1	Input pin that determines driving mode.

Absolute Maximum Ratings (Unless otherwise noted, $T_A=25$)

Characteristic	Symbol	Rating	Unit
Supply Voltage	V_{DD}	6.0	V
Input Voltage	V_{IN}	$V_{DD}+0.4$	V
I_{ODC} Current	I_{ODC}	500	mA
Power Dissipation	P_D	486	mW
Operating Temperature Range	T_{OPR}	-40 ~ 125	°C
Storage Temperature Range	T_{STG}	-65 ~ 150	°C

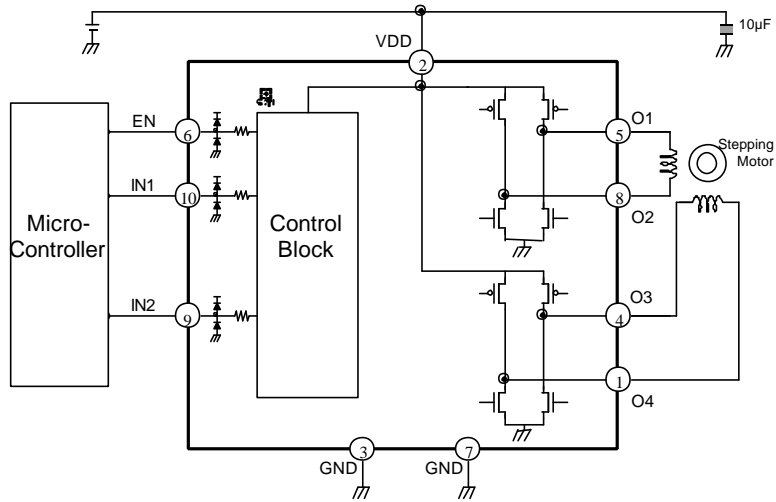
Electrical Characteristic (Unless otherwise noted, $T_A=25$ & $V_{DD}=3V$)

Characteristic	Sym.	Condition	Limit			Unit
			Min.	Typ.	Max.	
Supply Voltage	V_{DD}		1.5	3	6	V
Supply Current	I_{DD}	$V_{EN, IN1, IN2} = 0V$		0.2	0.5	μA
EN / IN1 / IN2 Input Terminal ($T_J = 25$)						
Input Voltage "H"	V_{IH}	-	$0.5 \cdot V_{DD}$	-	$V_{DD}+0.4$	V
Input Voltage "L"	V_{IL}	-	-0.4	-	$0.2 \cdot V_{DD}$	V
Input Current "H"	I_{IH}	$V_{IN} = V_{DD}$	-	-	± 5	μA
Input Current "L"	I_{IL}	$V_{IN} = 0V$	-	-	± 5	μA
O1 / O2 / O3 / O4 Output Terminal ($T_J = 25$)						
Output Voltage (upper + lower)	V_{OUT0}	$I_{OUT} = 200\text{ mA}$	-	0.25	0.35	V
	V_{OUT1}	$I_{OUT} = 400\text{ mA}$	-	0.4	0.8	V

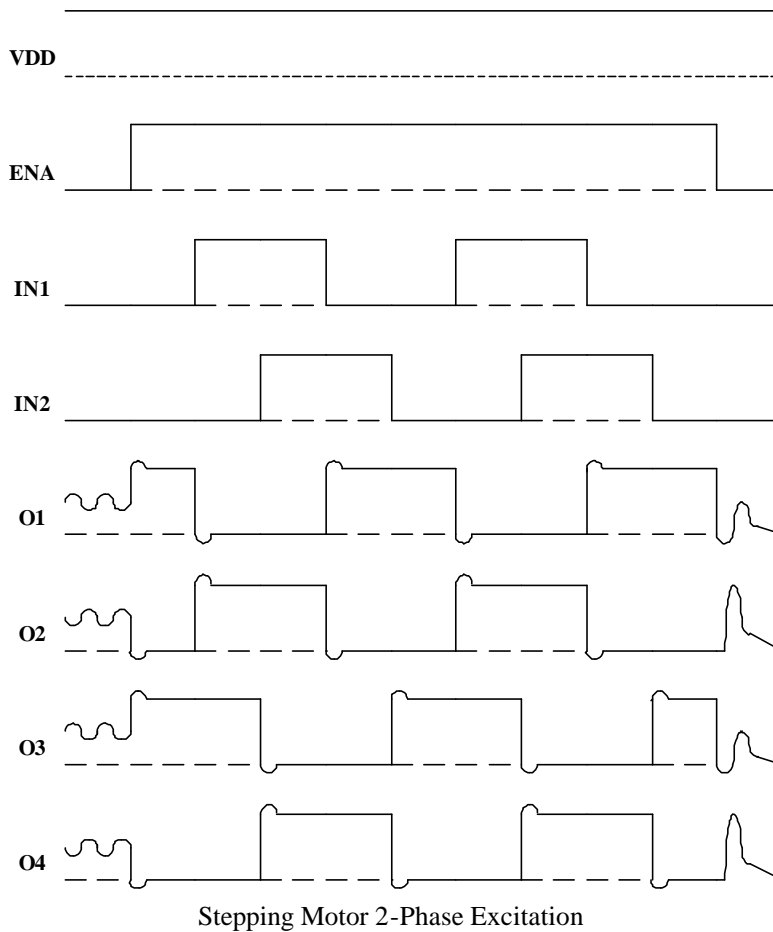
Truth Table

Input pins			Output pins				Notes
EN	IN1	IN2	O1	O2	O3	O4	
L	-	-	OFF	OFF	OFF	OFF	Standby
H	L	L	H	L	H	L	2-phase excitation
	L	H	H	L	L	H	
	H	H	L	H	L	H	
	H	L	L	H	H	L	

Block Diagram & Application Circuit

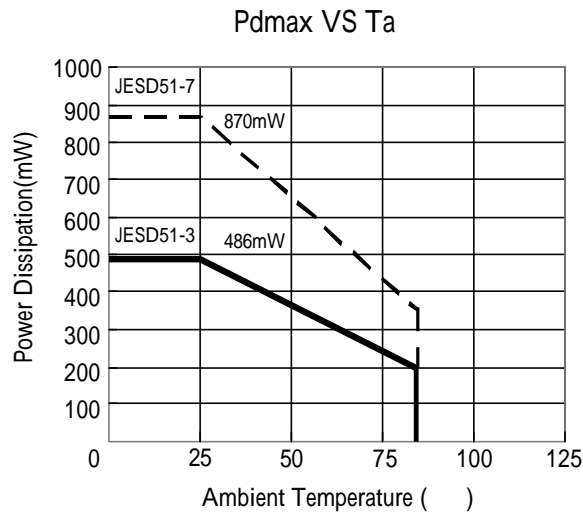


Timing Chart

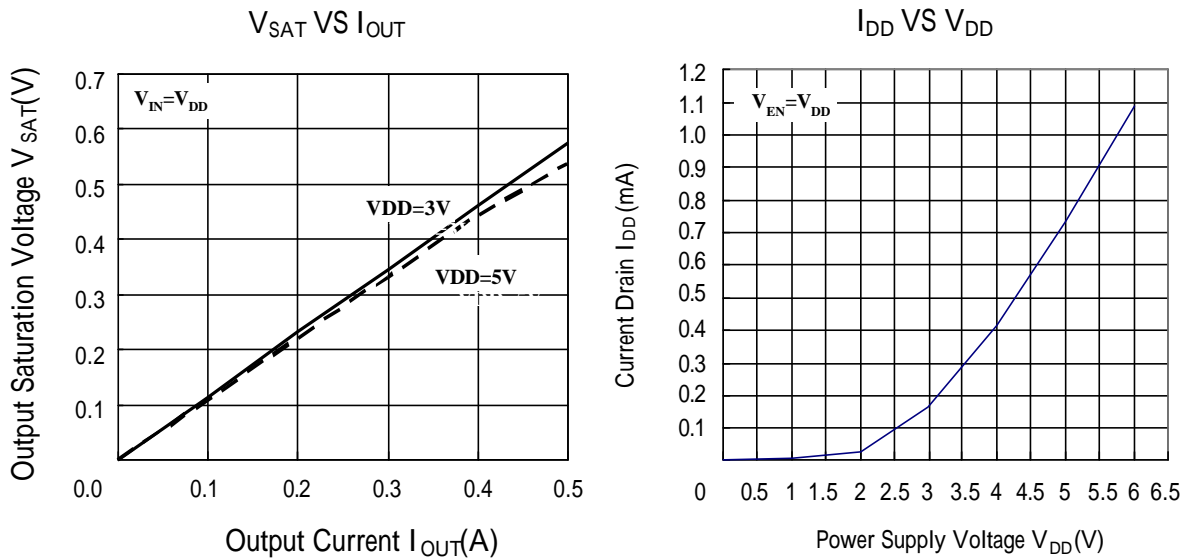


Application Notes

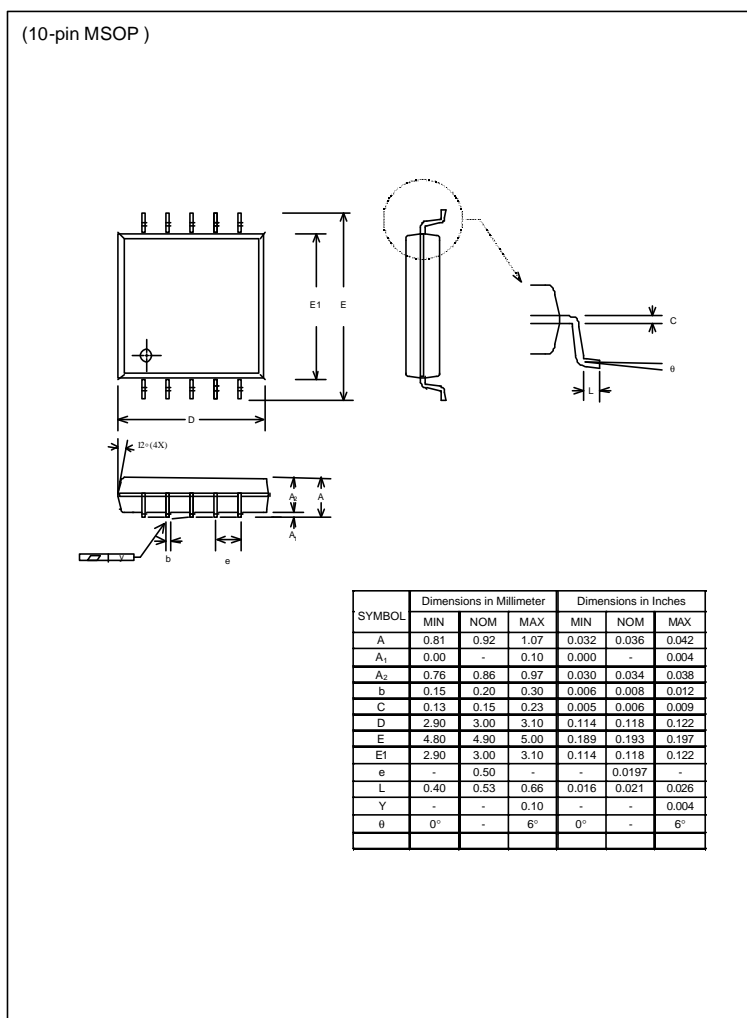
- The GND pin 3 and pin 7 must both connect to system ground.
- The power dissipated by the IC varies widely with the supply voltage, the output current, and loading. It is important to ensure the application does not exceed the allowable power dissipation of the IC package. The recommended motor driver power dissipation versus temperature is depicted as follows:



Typical Performance Curve



Package Specifications (MSOP-10)



The products listed herein are designed for ordinary electronic applications, such as electrical appliances, audio-visual equipment, communications devices and so on. Hence, it is advisable that the devices should not be used in medical instruments, surgical implants, aerospace machinery, nuclear power control systems, disaster/crime-prevention equipment and the like. Misusing those products may directly or indirectly endanger human life, or cause injury and property loss.

Silicon Touch Technology, Inc. will not take any responsibilities regarding the misuse of the products mentioned above. Anyone who purchases any products described herein with the above-mentioned intention or with such misused applications should accept full responsibility and indemnify. Silicon Touch Technology, Inc. and its distributors and all their officers and employees shall defend jointly and severally against any and all claims and litigation and all damages, cost and expenses associated with such intention and manipulation.